

SMOKE ALARM USER MANUAL

MODEL NUMBER: EP-RANG-RF-10

Thank you for choosing Emerald Alarms.

This leaflet contains important information on the correct installation and operation of your smoke alarm.

Please read all the information before commencing installation and retain for future reference.

This unit has been designed to meet the latest safety standards demanded in Australia and complies with the requirements of AS3786:2014.



MODEL NUMBER	EP-RANG-RF-10
DIMENSIONS	120 x 36.6mm
WEIGHT	146.6g
WARRANTY	10 years
MOUNTING OPTIONS	Ceiling or wall mount
POWER - BATTERY	10 year non-replaceable 3V lithium battery (EVE CR17450)
INTERCONNECT	Built-in wireless radio frequency (RF) technology Connects with up to 40 Emerald RF enabled alarms
WIRELESS DISTANCE	>20m (100m outside)
SENSOR	Photoelectric optical chamber
SOUND PATTERN	ISO 8201
ALARM VOLUME	>85dB(A) @ 3m
NORMAL OPERATING AND STORAGE TEMPERATURE	0°C to 40°C
NORMAL OPERATING AND STORAGE HUMIDITY	≤93% relative humidity (non-condensing)
PACK INCLUDES	Smoke alarm, instruction manual, screw packs, and mounting plate

DESCRIPTION

The unit is a photoelectric smoke alarm device. It is particularly sensitive for detecting visible micro-particles (associated with smoldering fires) and reacts faster than ionization alarms.

An example of such smoldering fires is a cigarette burning in a couch or bedding, a common cause of devastating blazes.

Please note this device does not detect flames, heat, carbon monoxide or other hazardous gases. It has many advanced features and an extended operational life with the included battery.

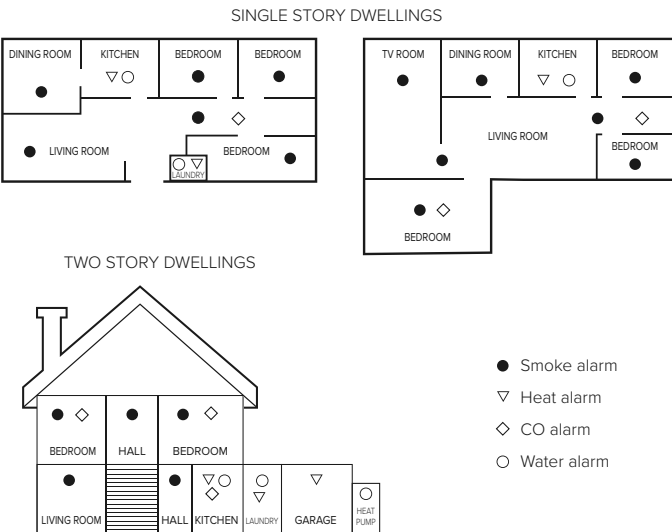
INSTALLATION LOCATIONS

OPTIMAL ALARM PLACEMENT

For the highest level of protection, we strongly recommend installing multiple combination alarms in your home. Each alarm serves a specific purpose and adheres to certain rules and regulations.

To ensure proper installation, we advise following the state based regulations and installation requirements.

The following graphs illustrate some best practices for alarm placement:



Note: These graphs are for illustrative purposes only and may not cover all potential scenarios. It is essential to assess your home's layout and potential risks to determine the most effective alarm placement.

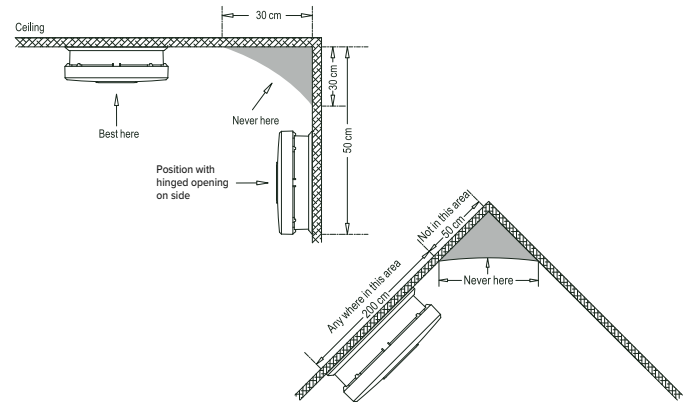
LOCATIONS TO AVOID

1. Don't place alarms in areas prone to steam, condensation, or exposure to normal smoke and heat from appliances, such as bathrooms, kitchens, and garages. These conditions may trigger false alarms.
2. In spaces with high humidity, like bathrooms or areas near dishwashers or washing machines, ensure the alarm is installed at least 3 meters away from these sources of moisture.
3. Keep alarms at least 1 meter away from air returns or heating and cooling supply vents. Airflow from these vents can disrupt the smoke detector's performance by blowing smoke away from it.
4. Do not install alarms in rooms where the temperature may drop below 0°C or exceed 40°C, as extreme temperatures can lead to nuisance or false alarm activation.
5. Avoid placing alarms in extremely dusty, dirty, or insect infested areas, as particles in these environments may interfere with the proper operation of the alarm.
6. Away from air conditioning or ventilation grilles/louvers.

POSITION OF SMOKE ALARMS

Smoke will spread horizontally after rising to the ceiling so it's advisable to install the smoke alarm in the centre of the ceiling where possible. Avoid areas where there is no circulation.

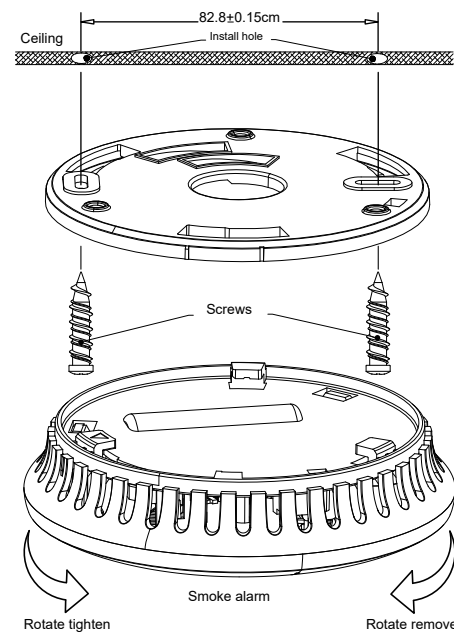
- When mounting an alarm on the ceiling, locate it a minimum of 30cm from the side wall.
- When mounting an alarm on the wall, position it a minimum of 30cm from the corner and a maximum of 50cm below the ceiling.
- Install smoke alarm/s on slopped, peaked or cathedral ceilings between 50cm and 250cm from the highest point of the ceiling.



ASSEMBLY AND INSTALLATION

Assemble and secure the smoke alarm to the ceiling using the supplied screws and mounting plate.

Note: Optional magnetic assembly system with secure 3M self adhesive mounts are available.



ACTIVATION

Press test button and hold it for 3 seconds until LED lights, and release it within 2 seconds, the unit will generate a 'beep' indicates the alarm working.

WIRELESS INTERCONNECTING FUNCTION

For the best results we advise you first choose the central alarm and then connect other alarms to your central alarm.

SETTING UP WIRELESS CONNECTION:

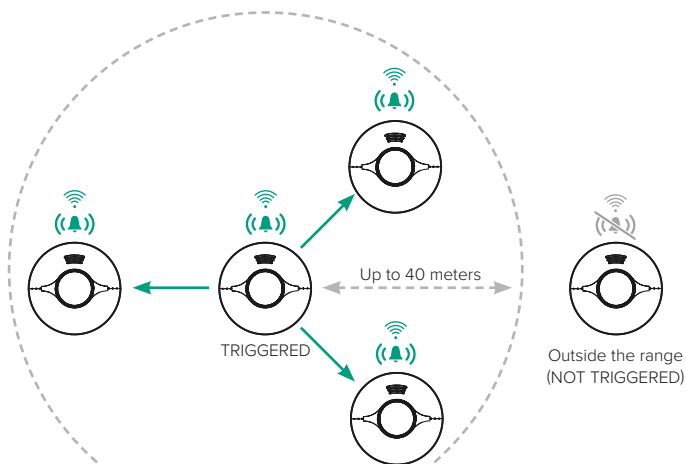
1. Ensure all the alarms are activated.
2. Choose one alarm to be the central connection point for others.
3. On the central alarm, press the TEST button three times within two seconds. The red LED will flash quickly, indicating it's in 'pairing mode' for 90 seconds. To exit the pairing mode press the button once.
4. While the central alarm is in pairing mode, press the TEST button three times within two seconds on the other alarms. They will interface with the central alarm. Pairing is successful when you hear a beep and see one light flash.
5. Repeat steps 3 and 4 for other alarms.

DEACTIVATING WIRELESS CONNECTION:

1. Press the TEST button on any alarm three times within 2 seconds. The red LED will flash quickly.
2. Press and hold the TEST button again until the red LED goes out (first time) and then release the button immediately. The red LED will flash slowly.
3. Press the test button again, and the alarm will beep 3 times, confirming the wireless connection has been successfully cleared.

Important:

1. Alarms must be activated for wireless connectivity.
2. One alarm can connect to a maximum of 40 other alarms wirelessly.
3. Our alarms cannot communicate with other manufacturers' alarms.
4. In a network of interconnected alarms within a 40-meter range, any detected emergency triggers all connected alarms simultaneously. The alarm need to be wirelessly connected for all connected alarms to trigger.
5. The wireless range of the indoor alarm may be affected by your home's layout.



Alarm mode within a 40 meter range of the triggered alarm

OPERATION AND TESTING

Smoke alarms are an important safety device in the home therefore it is important to check them regularly to ensure they are operating correctly.

Regular Mode

When there is no smoke present, the red LED should flash every 48 seconds indicating the alarm is operating correctly.

Alarm Mode

When the alarm detects smoke, the red LED will flash once per second and the alarm will sound loudly. The flashing LED and alarm will continue until the air is cleared.

Fault Mode

The alarm will generate a 'chirp' every 48 seconds indicating a fault.

TESTING YOUR SMOKE ALARM

It is recommended that you test your smoke alarm once a month to ensure the smoke alarm is working correctly. Test by pushing the test button on the cover. The alarm will sound if the alarm, electronic circuitry and battery are working. If no alarm sounds, the smoke alarm has a defective battery, or another fault.

Warning: Do not use an open flame to test your alarm. You could damage the alarm or ignite combustible materials and start a structure fire.

LOW BATTERY POWER

Should your smoke alarm have a low battery the unit will emit an audible 'chirp' once every 48 seconds and the red LED light flashes once at the same time. When this occurs you must replace the alarm immediately. Your smoke alarm will continue to warn of this low battery for at least 30 days. However, failure to change the alarm after this time would mean your smoke alarm may have insufficient power to alert you in a real fire situation.

Note: The battery in this unit is intended to last 10 years and cannot be replaced.

Warning: Your smoke alarm requires the battery to have sufficient capacity of power to operate correctly.

SILENCE ALARM

If your smoke alarm emits the full alarm signal and you are not testing the unit, the smoke alarm is warning you of a potentially dangerous situation that requires your immediate attention. Only use the alarm silence function after making sure that there is no ongoing fire emergency situation.

Do not block the vents on the alarm or disable the smoke alarm in any way as this will remove your protection.

Smoke alarms can sometimes react to cooking fumes or other non emergency situations. In the event of a known false alarm your smoke alarm can be temporarily silenced by pressing the hush button. Your alarm will automatically return to full sensitivity **within 8 minutes**.

1. Press and release the hush button, the alarm sound will stop.
2. Your alarm will silence and enter into a reduced sensitivity reset cycle for approximately 8 minutes.
3. During the reduced sensitivity reset cycle, the red LED will flash every 8 seconds indicating it is running in silent mode.
4. Your alarm will automatically return to full sensitivity on completion of the reset cycle and the red LED will revert to flashing once every 48 seconds.

Warning: Never ignore any alarm. Ignoring the alarm may result in injury or death. If your smoke alarm activates and you are not absolutely certain of the source of the smoke, get everyone out of the house immediately.

ALARM MEMORY FUNCTION

The smoke alarm will remember if it has been triggered within a set time frame. The red LED indicator flashes 3 times every 48 seconds during that period.

If the smoke alarm has been turned off during this period, it will delete this history.

ROUTINE MAINTENANCE

Like other electrical accessories in the home, smoke alarms require maintenance to ensure efficient and effective operation.

Proper maintenance can also reduce the likelihood of false alarms.

1. In addition to monthly testing, the alarm requires cleaning at least once a month to remove dust, dirt, or debris.
2. Using a vacuum cleaner with the soft brush vacuum all sides and cover of smoke alarm device.

Note: Do not attempt to remove the cover to clean inside. This will affect warranty.

Warning:

1. Photoelectric smoke detectors can reduce the likelihood of a disaster, but they cannot guarantee a 100% safety.
2. To ensure your maximum security, please install all smoke detectors exactly according to this manual.
3. Keep the detectors clean. Do not allow dust to accumulate and test them at least once a week.
4. If they are not working properly replace them immediately.

HOW TO DEACTIVATE THE SMOKE ALARM

Press the test button six times within three seconds, the smoke alarm will chirp once indicating the product has been deactivated. There will be no alarm functions while in this status. You must reactivate the alarm before use. Please refer to "ACTIVATION" to activate the product.

Warning: Deactivating this alarm should only be performed if you need to dispose of the smoke alarm or if you need to cease a nuisance alarm which is caused by a failure of the smoke alarm.

WARRANTY INFORMATION

Emerald Alarms Pty Ltd warrants this smoke alarm to the original purchaser.

Emerald Alarms Pty Ltd warrants each new smoke alarm is free from defects in material and workmanship under normal use and service for a period of 10 years from the date of purchase.

This warranty does not cover damage resulting from accident, misuse or abuse or lack of reasonable care of the product.

In no case shall Emerald Alarms Pty Ltd be liable for any incidental or consequential damages for breach of this or any other warranty express or implied whatsoever. Faulty product can be mailed to the following address with a detailed explanation of problem.

Emerald Alarms Pty Ltd
ABN 50 632 601 453

L2, 12a Rodborough Road Frenchs Forest NSW 2086